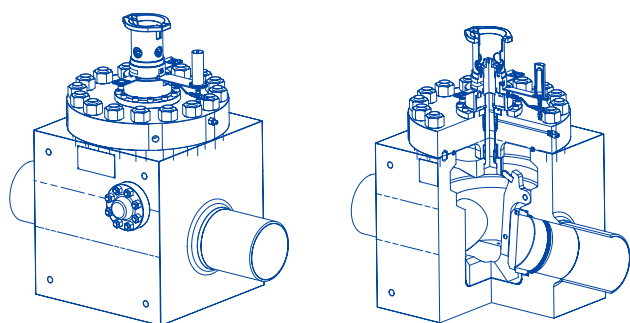


CHECK VALVE

Axial, Piston and Swing Check Valves for Surface and Subsea Applications



BEL Valves' Check Valve range supports client needs for a flexible approach to solutions where protection against back flow and pressure surges are concerned. The robust design of the Swing Check Valve is typically favoured to overcome these service conditions on large bore applications, whereas the Axial and Piston Check products provide assurance where a more compact design is demanded.

BENEFITS

- Corrosion resistant
- Gas tight sealing
- Non-return

APPLICATIONS

HP/HT, isolation, pipeline.

SPECIFICATIONS

Pressure rating	ANSI 600 to 2,500 API 3,000 to 15,000 psi
Temperature	-100°C to +190°C
Water depth	To 4,500m
Bore sizes	2" to 20"
Material options	Carbon steel, low alloy steel, stainless steel, duplex, super duplex and inconel
Actuation	Manual, ROV
Standards	API 6A, API 6D, API 6D SS, API 17D, API 6AV1, ISO 10423, ISO 13628, ISO 14313, ISO 14723

CONFIGURATIONS

- Axial, piston or swing
- Forged or cast body
- Full or partial clad
- Full or reduced bore
- Lock-open mechanism
- Metal-to-metal
- Various end connection options

FEATURES

- Stellite hard facing

