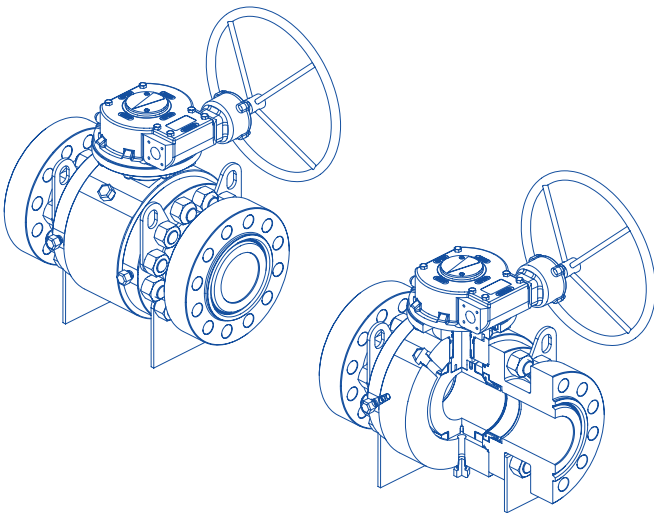


# SURFACE BALL VALVE

## High Integrity Surface Ball Valves



Our flexibility towards delivering an optimised surface Ball Valve solution ensures that both client and governing industry requirements are always met, and allows for a fit for purpose final product to be delivered on time and within budget. Additionally the E-Ball Valve is a patented product that provides double block and bleed (DBB) functionality within a single valve.

### BENEFITS

- Compact design
- Corrosion resistant
- Fast closure
- Fire safe
- Gas tight sealing

### APPLICATIONS

Boarding skid, double block and bleed (DBB), FSPO, HIPPS, HP/HT, isolation, metering skids, mooring systems, pig launching and receiving, pipeline, production platform, onshore receiving terminal.

### SPECIFICATIONS

Pressure rating	ANSI 150 to 2,500 To 15,000 psi
Configurations	Fully welded, top or side entry
Bore sizes	1 1/2" to 56"
Material options	Carbon and low alloy steel, stainless steel, low temperature carbon steel, duplex, super duplex and super alloys
Actuation	Manual, ROV, hydraulic (FSC, FAI, FSO), pneumatic
Standards	API 6A and ISO 10423, API 6D and ISO 14313, API 6AV1

### CONFIGURATIONS

- Side entry, top entry, all welded
- Cast or forged body
- Eccentric (E-ball)
- Floating or trunnion mounted
- Full or reduced bore
- Metal to metal or soft sealing
- Single or double block
- Various end connection options

### FEATURES

- Bi-directional sealing
- On-off

