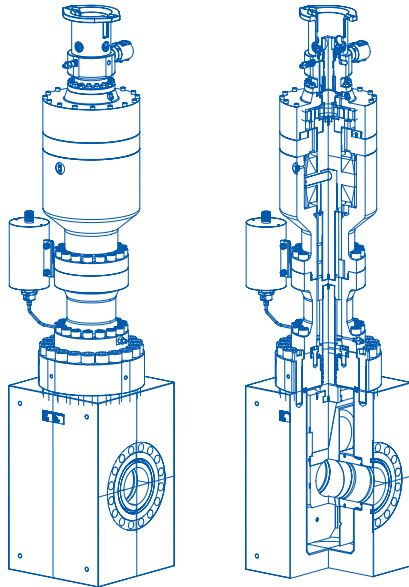


# THROUGH CONDUIT EXPANDING GATE VALVE

Through Conduit Expanding Gate Valves for Subsea Applications



BEL Valves' Through Conduit Expanding Gate Valve enables double block and bleed functionality to be achieved within one single valve assembly as opposed to the two conventional slab gates that would otherwise be required. The benefits include an overall cost, size and weight reduction in addition to an ability to configure the valve to seal in either the closed position (single expanding) or open and closed position (double expanding).

## BENEFITS

- Corrosion resistant
- Fast closure
- Gas tight sealing
- Inherently fail safe

## APPLICATIONS

Emergency shut down, flow-line, HIPPS, HP/HT, hot tapping, isolation, manifold, pig launching and receiving, PLEM, PLET, riser module, xmas tree.

## SPECIFICATIONS

Pressure rating	ANSI 150 to 2,500 API 2,000 to 20,000 psi
Temperature	-100°C to +190°C
Water depth	To 4,500m
Bore sizes	1½" to 32"
Material options	Carbon steel, low alloy steel, stainless steel, duplex, super duplex and inconel
Actuation	Manual, ROV, hydraulic (FSC, FAI, FSO), electric
Standards	API 6A, API 6D, API 6D SS, API 17D, API 6AV1, ISO 10423, ISO 13628, ISO 14313, ISO 14723

## CONFIGURATIONS

- Cast or forged body
- Double block and bleed (DBB)
- Full or partial clad
- Full or reduced bore
- Single (seal closed) or double (seal open and closed) expanding
- Uni-directional or bi-directional sealing
- Various end connection options

## FEATURES

- Metal-to-metal sealing
- On-off
- Rising stem (outside screw)
- Tungsten carbide hard facing