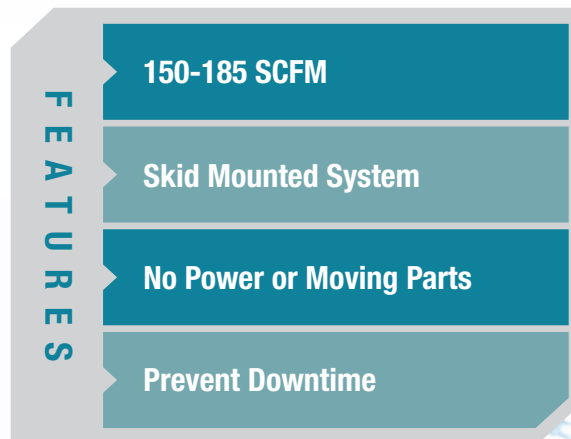

Dry Pak *PRO* Portable Air Drying System

The Affordable Dry Air Portable Package. Dry Air Anytime, Anywhere.

The Dry Pak PRO is a portable compressed air system designed for flows up to 185 SCFM. With no power requirements this system can be used virtually anywhere. This portable skid mounted system consists of a D12 Deliquescent Dryer, F200-265 Filter, aftercooler with air motor, rock guard, and a regulator lubricator. The DryPak 150 is a low cost portable air drying system is perfect for small jobs where portability and dry air matter.

The Dry Pak *PRO* Portable Air Drying System is an ideal solution for:

- Air tools
- Painting
- Ship building
- Stationary blasting
- General shop air
- Production equipment



BENEFITS OF THE Dry Pak *PRO*

Simple // Dependable // Inexpensive

vanairsystems.com

SPECIFICATIONS

- D12 Deliquescent Dryer
- F200-265-B Afterfilter
- Aftercooler with air motor
- Regulator Lubricator
- Manual Drain Valve
- 185 SCFM Max Flow Rating
- 250 PSIG Maximum Working Pressure
- Fork lift Access
- Site window for viewing desiccant levels
- Initial fill of DRY-O-LITE Desiccant included
- 10 year warranty on dryer

OPTIONS

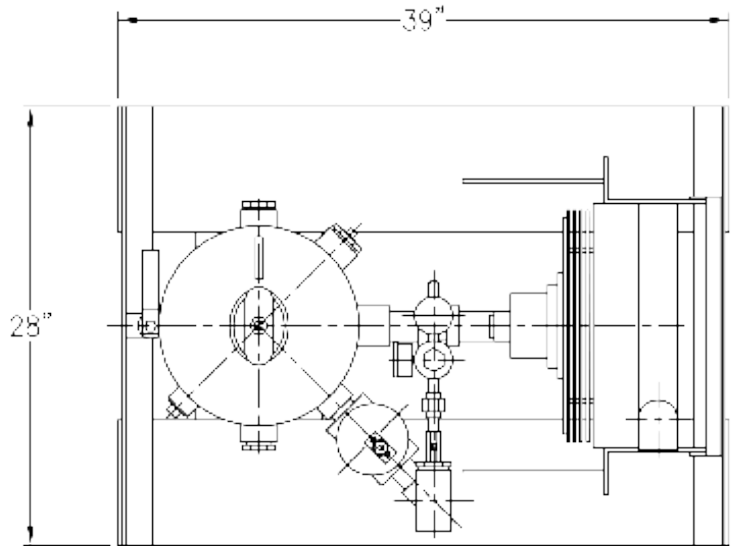
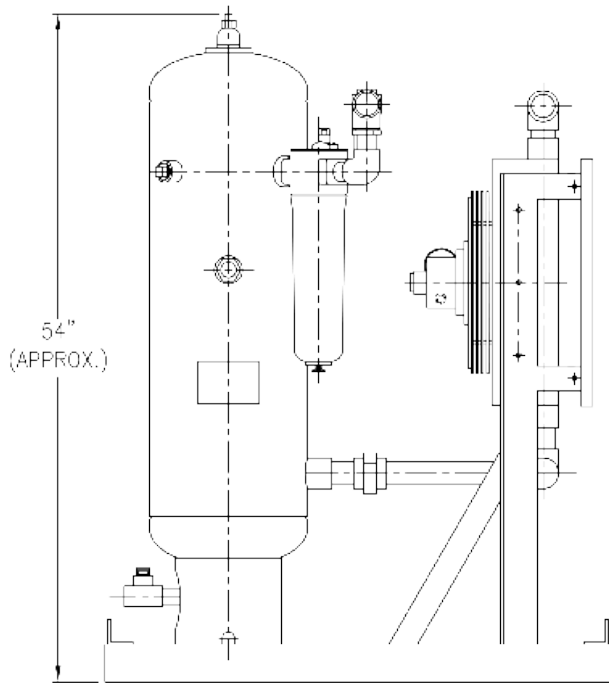
- Pressure gauge kit
- Temperature gauge kit
- Safety relief valve
- PDV Drain valve
- Optional flexible drain hose

DIMENSIONS & SPECIFICATIONS

Model No.	HEIGHT		WIDTH		DEPTH		Air Motor (SCFM)	Inlet Conn.	Outlet Conn.	Maximum Working Pressure PSIG / BARG	Weight	
	in	cm	in	cm	in	cm					lbs	kg
DPP-150	54	137	39	99	28	71	10	1 1/2" NPT	1 1/2" NPT	250 / 17.2	500	227

MAXIMUM CAPACITIES SCFM

Model No.	60 PSIG 4.1 BARG	80 PSIG 5.5 BARG	100 PSIG 6.9 BARG	125 PSIG 8.6 BARG	150 PSIG 10.3 BARG	175 PSIG 12.1 BARG	200 PSIG 13.8 BARG	250 PSIG 17.3 BARG
DPP-150	96 158	124 199	150 241	183 294	215 346	248 399	281 452	346 556



2950 Mechanic Street, Lake City, PA 16423, USA | Toll Free Phone 800-840-9906 | Corporate Fax 814-774-0778 | Order Entry Fax 814-774-3482

Distributed By:



Dry Pak *PRO* - PDF Downloads

Installation, Operation and Maintenance Manuals

Dry Pak 150



Sales Drawings

Dry Pak 150

